



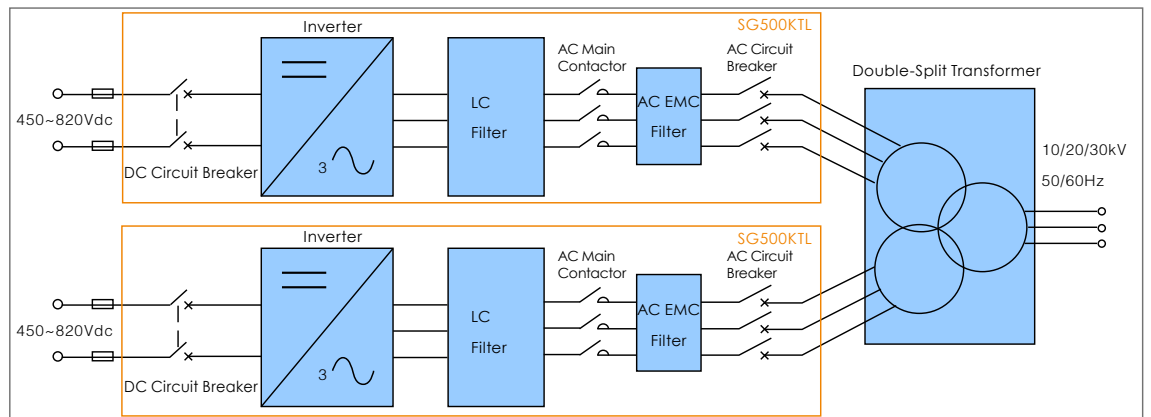
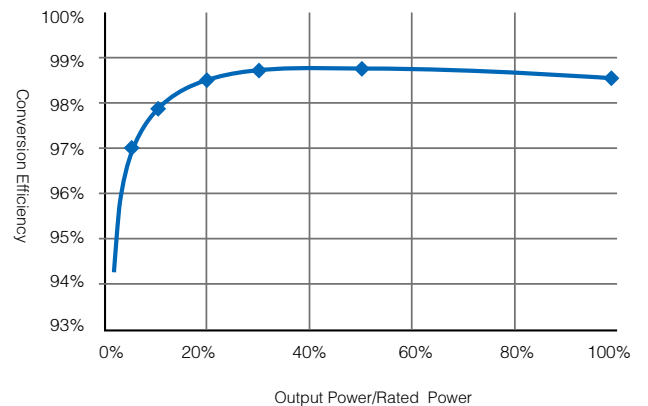
## SG 500KTL

DK5940  

### Features:

- Power reduction (100%, 60%, 30%, 0%) meet German EEG requirements
- Reactive Power Control with power factor from 0.9 lagging to 0.9 leading
- Transformerless design efficiency at 98.7%
- Easy Installation and maintenance
- Precise output power metering
- Multilingual touch screen monitoring and control interface
- Auxiliary heater (optional)
- Max. working altitude at 6000m (operation with derating above 3000m)
- High quality German Rittal enclosure
- Low voltage ride through
- KEMA DK5940, CE certification, CGC certification

### Efficiency Curve: (at Vdc=500V)





## Technical Specifications:

SG 500KTL	
<b>DC SIDE DATA</b>	
Max. DC Voltage	900Vdc
Start Voltage	470V
MPP Voltage	450~820V
Min. DC Voltage	450V
Max. DC Power	550kWp
Max. Input Current	1200A
<b>AC SIDE DATA</b>	
Rated Output Power	500kW
Max. AC Output Current	1176A
Rated Grid Voltage	315Vac
Grid Voltage Range	250~362Vac
Rated Grid Frequency	50Hz/60Hz
Grid Frequency Range	47~51.5Hz/57~61.5Hz
Output Current THD	<3% (at nominal power)
DC Current Injection	<0.5% of rated inverter output current
Power Factor	0.9 ( lagging ) ~0.9 ( leading )
<b>SYSTEM</b>	
Max. Efficiency	98.7%
Euro. Efficiency	98.5%
Protection Degree	IP20 ( indoor )
Power Consumption at Night	<100W
Operating Temperature	-25~+55°C
Cooling Method	controlled forced-air cooling
Relative Humidity	0~95%, non-condensing
Max. Working Altitude	6000m (operation with derating above 3000m)
<b>DISPLAY AND COMMUNICATIONS</b>	
Display	touch screen LCD
Standard Comm. Interfaces	RS485
Optional Comm. Interfaces	Ethernet
<b>MECHANICAL DATA</b>	
Dimensions ( WxHxD )	2800x2180x850mm
Net Weight	2288kg

## Circuit Diagram:

